

N

T.2N.-R.4E.
MARION TOWNSHIP
LIVINGSTON COUNTY, MI

DEPTH LEGEND

MINIMUM DEPTH	MAXIMUM DEPTH	Color
0.00	1.00	Yellow
1.00	2.00	Light Cyan
2.00	4.00	Light Blue
4.00	6.00	Medium Light Blue
6.00	8.00	Medium Blue
8.00	10.00	Dark Light Blue
10.00	12.00	Dark Blue
12.00	14.00	Very Dark Blue
14.00	16.00	Dark Navy Blue
16.00	18.00	Very Dark Navy Blue
18.00	22.00	Dark Indigo
22.00	24.00	Very Dark Indigo
24.00	26.00	Dark Purple
26.00	28.00	Very Dark Purple
28.00	28.60	Black

BY	MARK	REVISIONS	DATE

THE WORK REPRESENTED BY THIS DRAWING WAS DESIGNED BY THE ENGINEER FOR THIS SPECIFIC APPLICATION AND SPECIFIC LOCATION DESCRIBED HEREIN IN ACCORDANCE WITH THE CONDITIONS PREVALENT AT THE TIME THE DESIGN WAS DONE. THE ENGINEER DOES NOT GUARANTEE AND WILL NOT BE LIABLE FOR ANY OTHER LOCATION, CONDITION, DESIGN OR PURPOSE.

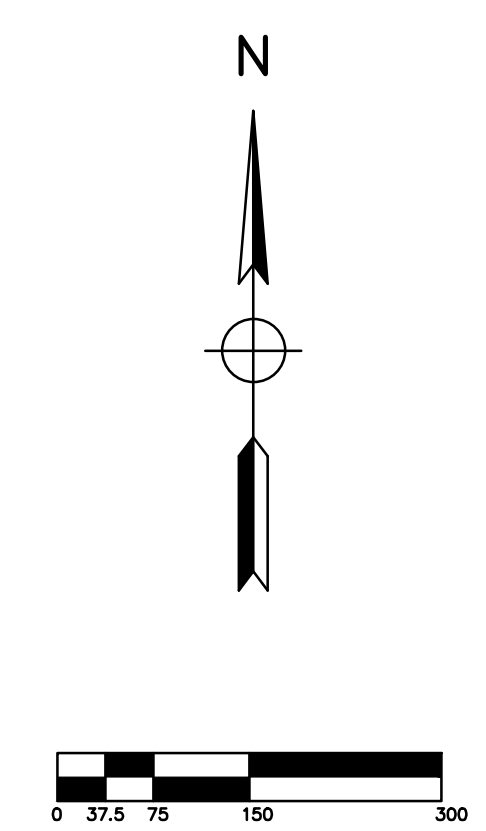
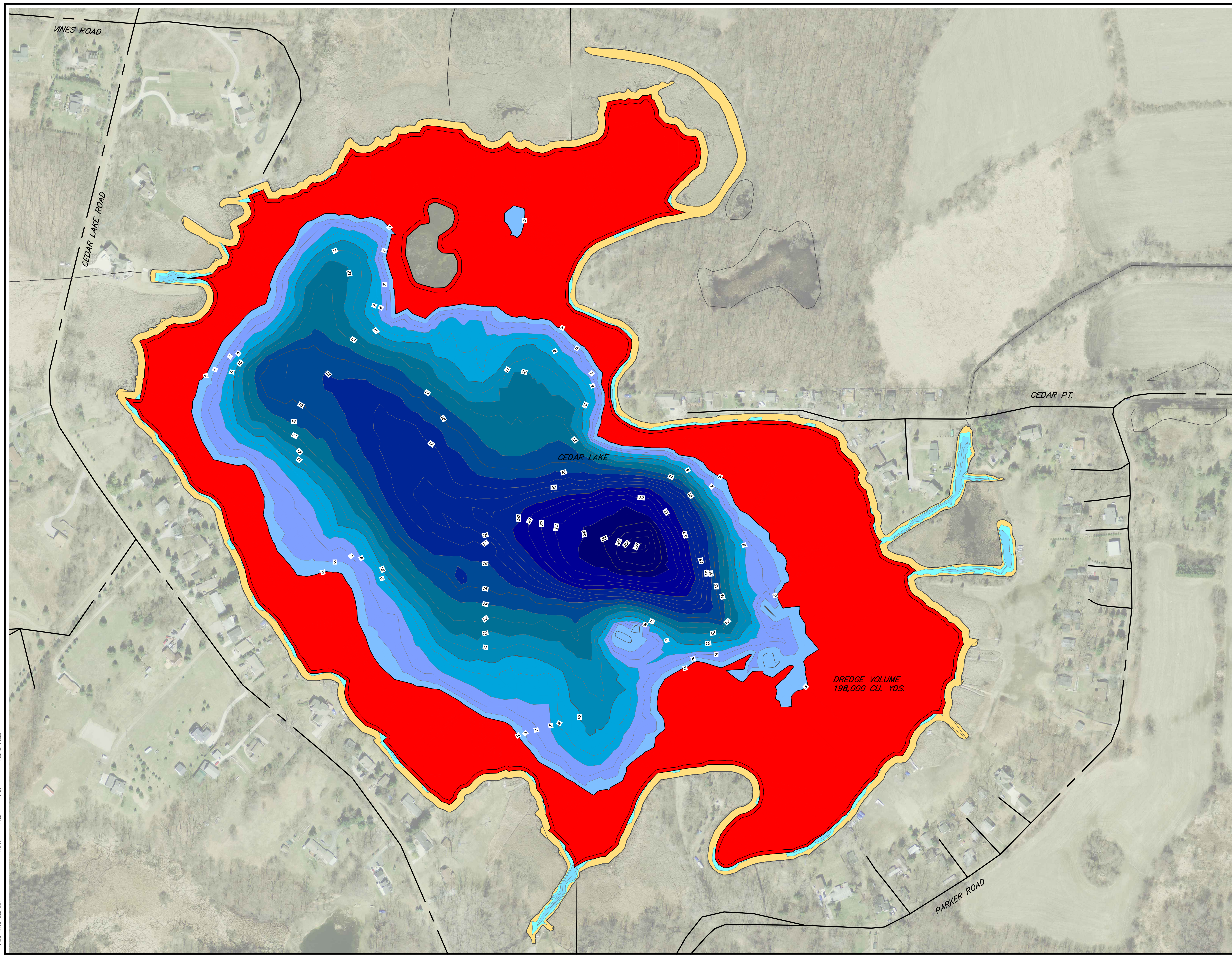
MARION TOWNSHIP
LIVINGSTON COUNTY, MICHIGAN

**CEDAR LAKE
TRANSECT LOCATIONS**

<p>OFFICE LOCATIONS SAGINAW, MI ST. JOHNS, MI BELLEVILLE, MI</p>		<p>SAGINAW OFFICE 230 S. Washington Ave. Saginaw, MI 48607 Tel. 989-754-4717 Fax. 989-754-4440 www.SpicerGroup.com</p>
<p>DE. BY: MMC DR. BY: WJB</p>	<p>CH. BY: MMC APP. BY: RBH</p>	<p>PROJECT NO. 118599SG2010</p>
<p>STDS.</p>	<p>SHEET 2 OF X</p>	<p>FILE NO. DR-2392-02</p>
<p>DATE: APRIL 2011 SCALE: 1" = 150'</p>		

PLOTTING SCALE: RET. F.B. PG. ACAD FILE:

C:\p\2011\118599SG2010-Cedar Lake Transect Locations.dwg, 5/10/2011 9:32:18 AM, 14x11mm, nwc, 16, 100, 100



T.2N.-R.4E.
MARION TOWNSHIP
LIVINGSTON COUNTY, MI

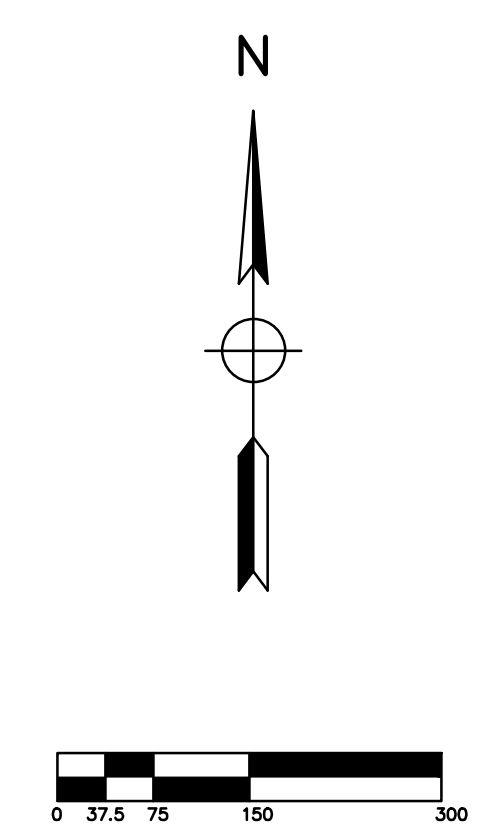
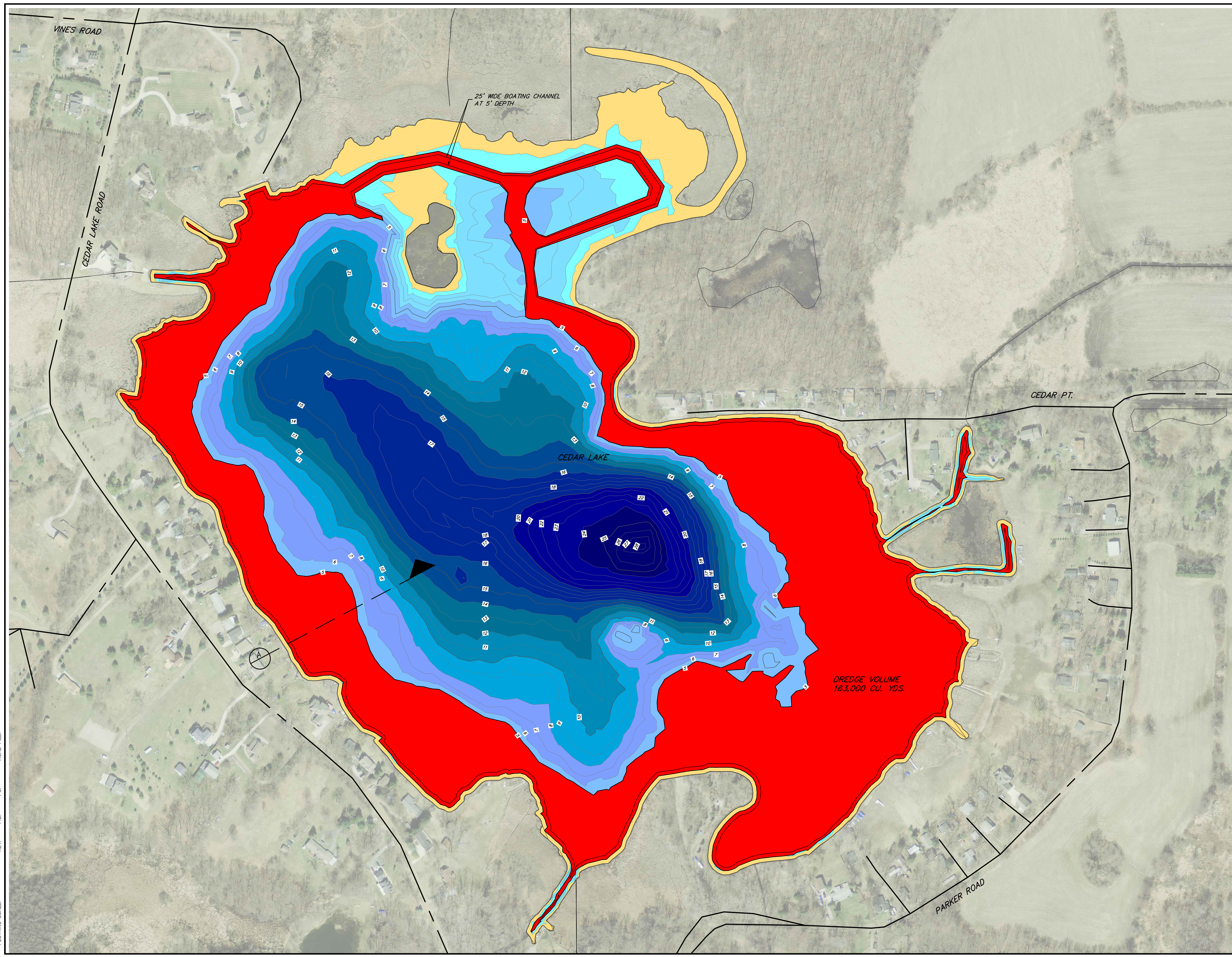
[Red Box] LIMITS OF DREDGE AREA TO OBTAIN 5' OF WATER DEPTH AT 25' BUFFER LINE FROM SHORE

DREDGE VOLUME
198,000 CU. YDS.

PLOTING SCALE: RET. F.B. PG. ACAD FILE:

BY	MARK	REVISIONS	DATE
<small>THE WORK REPRESENTED BY THIS DRAWING WAS DESIGNED BY THE ENGINEER FOR THIS SPECIFIC APPLICATION AND SPECIFIC LOCATION DESCRIBED HEREON IN ACCORDANCE WITH THE CONDITIONS PREVALENT AT THE TIME THE DESIGN WAS DONE. THE ENGINEER DOES NOT GUARANTEE AND WILL NOT BE LIABLE FOR ANY OTHER LOCATION, CONDITION, DESIGN OR PURPOSE.</small>			
MARION TOWNSHIP LIVINGSTON COUNTY, MICHIGAN			
CEDAR LAKE DREDGE ALTERNATIVE 1			
<small>OFFICE LOCATIONS SAGINAW, MI ST. JOHNS, MI BELLEVILLE, MI</small>		<small>SAGINAW OFFICE 230 S. Washington Ave. Saginaw, MI 48607 Tel. 989-754-4717 Fax. 989-754-4440 www.SpicerGroup.com</small>	
DE. BY: MMC	CH. BY: MMC	PROJECT NO.	
DR. BY: WJB	APP. BY: RBH	118599SG2010	
STDS.	SHEET 3 OF X		
DATE	APRIL 2011	FILE NO.	
SCALE	1" = 150'	DR-2392-03	

C:\p\2010\118599SG2010-Cedar_Lake_Dredge\Map\05030003-ALTERNATIVE1.dwg, 5/10/2011 9:35:58 PM, d:\mcm...



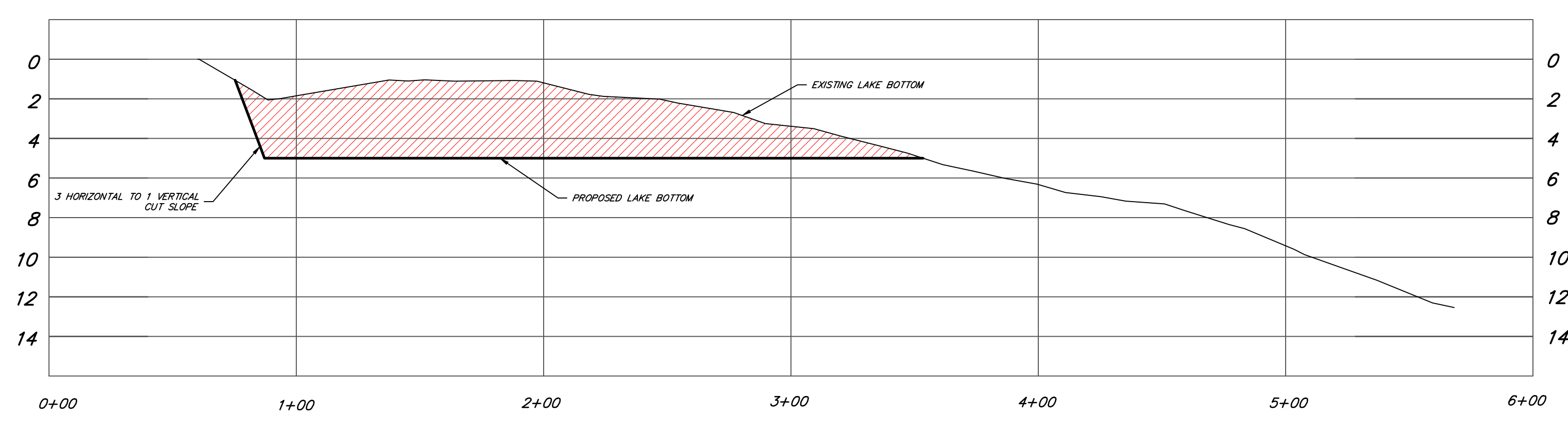
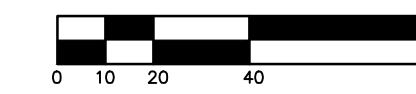
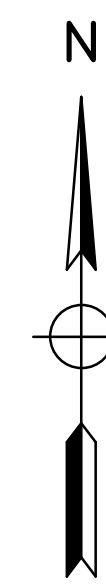
T.2N.-R.4E.
MARION TOWNSHIP
LIVINGSTON COUNTY, MI

[Red Box] LIMITS OF DREDGE AREA TO OBTAIN 5' OF WATER DEPTH AT 15' BUFFER LINE FROM SHORE

BY	MARK	REVISIONS	DATE
<small>THE WORK REPRESENTED BY THIS DRAWING WAS DESIGNED BY THE ENGINEER FOR THIS SPECIFIC APPLICATION AND SPECIFIC LOCATION DESCRIBED HEREON IN ACCORDANCE WITH THE CONDITIONS PREVALENT AT THE TIME THE DESIGN WAS DONE. THE ENGINEER DOES NOT GUARANTEE AND WILL NOT BE LIABLE FOR ANY OTHER LOCATION, CONDITION, DESIGN OR PURPOSE.</small>			
MARION TOWNSHIP LIVINGSTON COUNTY, MICHIGAN			
CEDAR LAKE DREDGE ALTERNATIVE 2			
<small>OFFICE LOCATIONS SAGINAW, MI ST. JOHNS, MI BELLEVILLE, MI</small>		<small>SAGINAW OFFICE 230 S. Washington Ave. Saginaw, MI 48607 Tel. 989-754-4717 Fax. 989-754-4440 www.SpicerGroup.com</small>	
DE. BY: <i>MMC</i>	CH. BY: <i>MMC</i>	PROJECT NO. 118599SG2010	
DR. BY: <i>WJB</i>	APP. BY: <i>RBH</i>		
STDS.	SHEET 4 OF X		
DATE SCALE	FILE NO. DR-2392-04		
APRIL 2011 1" = 150'			

PLOTTING SCALE: RET. F.B. PG. ACAD FILE:

C:\p\2010\118599SG2010-Cedar_Lake_Dredge\Map\118599SG2010-ALTERNATIVE2.dwg, 5/10/2011 9:57:09 PM, d:\dwg\mm



PROFILE A

BY	MARK	REVISIONS	DATE
<small>THE WORK REPRESENTED BY THIS DRAWING WAS DESIGNED BY THE ENGINEER FOR THIS SPECIFIC APPLICATION AND SPECIFIC LOCATION DESCRIBED HEREON IN ACCORDANCE WITH THE CONDITIONS PREVALENT AT THE TIME THE DESIGN WAS DONE. THE ENGINEER DOES NOT GUARANTEE AND WILL NOT BE LIABLE FOR ANY OTHER LOCATION, CONDITION, DESIGN OR PURPOSE.</small>			
MARION TOWNSHIP LIVINGSTON COUNTY, MICHIGAN			
CEDAR LAKE ALTERNATIVE 2 SECTIONS			
<small>OFFICE LOCATIONS</small> SAGINAW, MI ST. JOHNS, MI BELLEVILLE, MI		<small>SAGINAW OFFICE</small> 230 S. Washington Ave. Saginaw, MI 48607 Tel. 989-754-4717 Fax. 989-754-4440 www.SpicerGroup.com	
DE. BY: MMC	CH. BY: MMC	PROJECT NO.	
DR. BY: MMC	APP. BY: RBH	118599SG2010	
STDS.		SHEET 5 OF X	
DATE APRIL 2011		FILE NO.	
SCALE H.1"=40'; V.1"=5'		DR-2392-05	

PLOTTING SCALE: RET. F.B. PG. ACAD FILE:

C:\Program Files\Autodesk\AutoCAD 2011\Projects\118599SG2010-Cedar Lake-Alternative 2-Sections.dwg, 5/17/2011 7:08:18 PM, elev.dwg, DWG, 16, 100, 100